



**बामर लारी एण्ड कं. लिमिटेड**  
(भारत सरकार का एक प्रतिष्ठान)

**Balmer Lawrie & Co. Ltd. SERVICE**  
(A Government of India Enterprise)  
**LIMITED TENDER**

चित्तूर प्लांट औद्योगिक पैकेजिंग  
62, पटनम पोस्ट, पटनम विलेज,  
तवनमपल्ली मंडल, अरगोण्डा रोड,  
चित्तूर - 517 131 (आं. प्र.)  
फोन : 08573-281077.  
फैक्स : 08573-281088.

Chittoor Plant-Industrial Packaging  
62, Patnam Post, Patnam Village,  
Thavanampalle Mandal, Aragonda Roa  
Chittoor - 517 131 (A.P.)  
Phone : 08573-281077  
Fax : 08573-281088  
GST No. : 37AABC0984E1ZU

1090LM0114 dt: 05.02.2021

M/s. Registered Vendors

Dear Sirs,

Sealed offers are invited for supply of **PRE CURLING ROLLERS** and **SEAMING ROLLERS FOR SEAMING MACHINE** as per attached drawing to our barrel plant in line with the **Terms & Conditions, Drawing and Bid Form provided along with the tender.**

In case any clarification the bidders to contact Mr. **J.S.Antony, AVP (Mfg) t 08573 - 281077/88 ext: 11** on all working days between 10.00AM & 4.00PM.

Duly filled & sealed Bid Form super scribed with "**Tender for Supply of PRE-CURLING & SEAMING ROLLER**" shall be forward to

**AVP[Mfg],**

**M/s. Balmer Lawrie & Co. Ltd.,  
(A Govt. of India Enterprises)  
Industrial Packaging,  
No. 62, Patnam Village & post,  
Thavanam palli mandal,  
Araconda Road, Chittoor-517131.**

The last date for submission of bid for the above tender is **17.02.2021 at 3.00PM.**

The tender document is also available in our company's website **www.balmerlawrie.com.**

Thanking you

Yours faithfully  
for Balmer Lawrie & Co. Ltd.

[J.S. Antony]  
AVP(mfg)  
Ph: 08573-281077/88 ext: 11 E-Mail: [antony.js@balmerlawrie.com](mailto:antony.js@balmerlawrie.com)

**Balmer Lawrie**  
**INDUSTRIAL PACKAGING**

पंजीकृत कार्यालय : 21, नेताजी सुभाष रोड, कोलकाता - 700 001. (भारत) Registered Office : 21, Netaji Subhas Road, Kolkata - 700 001. (India) Website : [www.balmerlawrie.com](http://www.balmerlawrie.com)

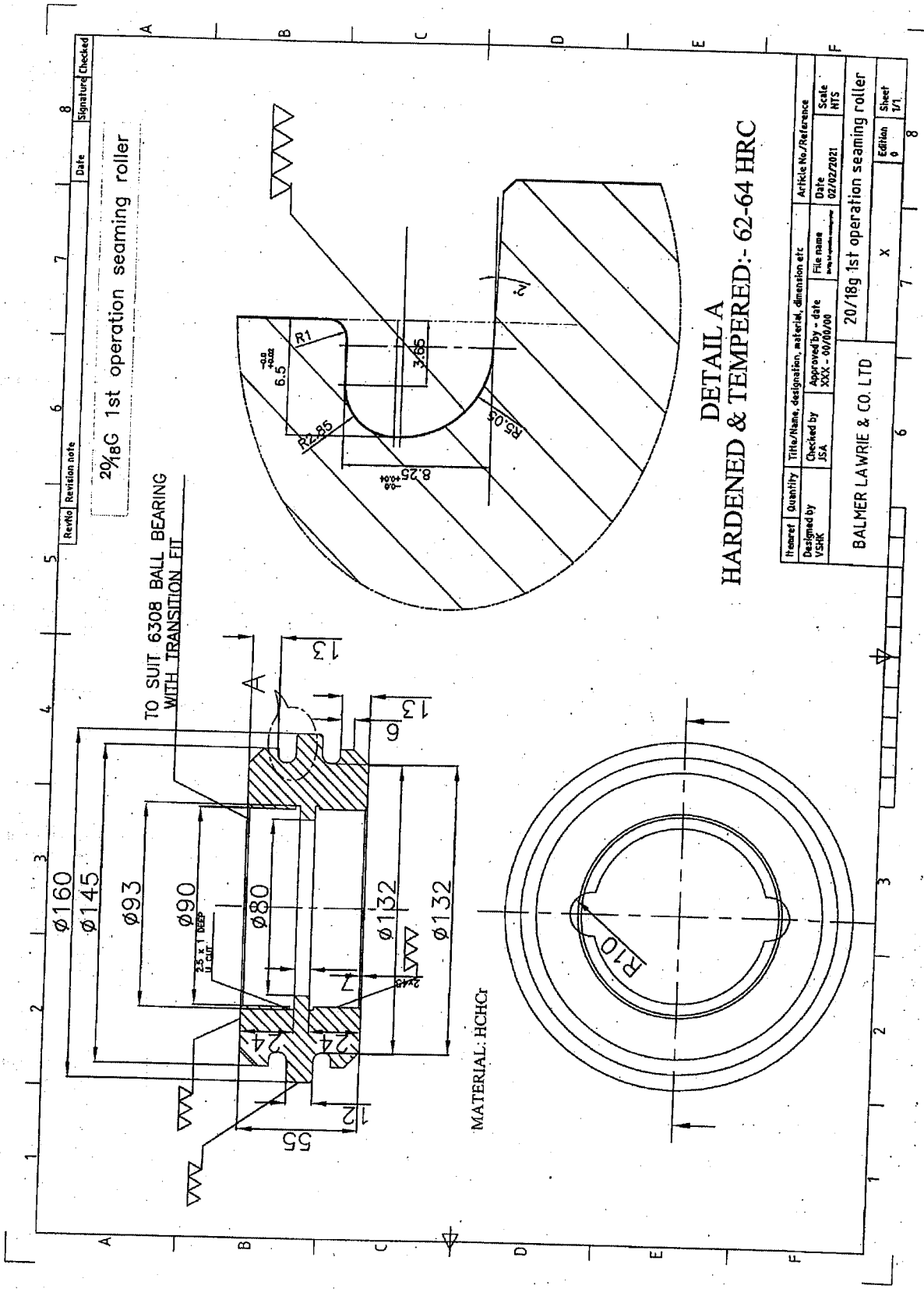
• Industrial Packaging • Greases & Lubricants • Leather Chemicals • Travel & Vacations • Logistics • Refinery & Oil field services

## TERMS AND CONDITION

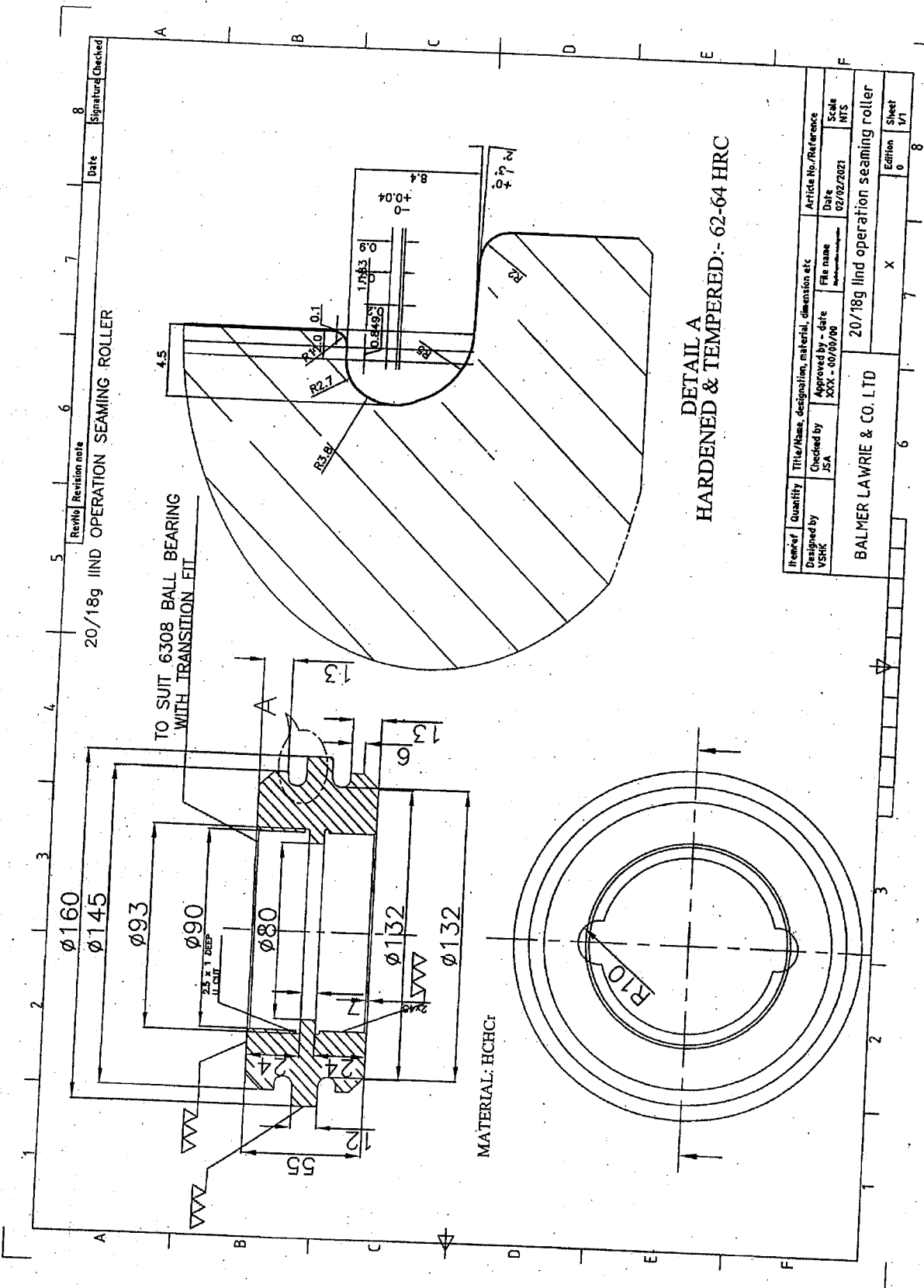
1. The term “**Company (or) BL**” wherever mentioned in the tender document refers to “**BALMER LAWRIE & CO. LTD.**”
2. The term “**bidder**” means the firm or company with whom the order is placed and shall be deemed to include the bidder, successors, representatives, heirs, executors and administrators duly approved by the company.
3. **Period of Supply: Within 45 days from the date of receipt of our Purchase order.**
4. The offer shall be submitted in our enquiry format only and any Conditional offers will be discretion of BLCL.
5. The offer must be kept valid for a minimum period of **60 Days** from the date of opening the offer.
6. The price quoted by the bidder shall remain valid till the supply is completed. During the tenure of the supply period, no price increase will be considered, except for change in statutory levies imposed by Union / State Govt. / Local authorities.
7. It may be noted that the order shall be finalized only on the lowest quoted bidder and it would be in the interest of the **bidder to quote the most competitive price.**
8. **Payment: 95% of the basic plus full tax amount will be released within 30 days from the date of receipt of material at our stores and 5% of the basic value will be kept as retention money for performance guarantee and will be released after 90 days from the date of commissioning.**
9. **Penalty Clause:** Any failure on the part of the vendor to supply the material as per the delivery schedule, required quantity, approved quality etc. will be viewed seriously. Also the vendor may be debarred from participating in future tenders of the company.
10. The bids of any bidder may be rejected if a conflict of interest between the bidder and the Company is detected at any stage.
11. Late tenders / delayed tenders including postal delay and those not conforming to the prescribed terms and conditions will not be considered at all.
12. The company would not carry out any negotiations except with such bidders who is / are the lowest quoted bidders originally. As such it would be in the interest of the bidders to quote the lowest possible rate.
13. It shall be understood that every endeavor has been made to avoid error which may materially affect the basis of the tender and the successful bidder will take upon himself to provide for risk of any error which may subsequently be discovered and shall make no subsequent claim on account thereof.
14. Only Registered vendors are eligible to apply. Bids from non-registered vendors are liable to be rejected. Any non- registered vendor interested in supplying the material/service may register with the company and shall be eligible for participation from the next tender onwards.
15. **ARBITRATION:-** Any dispute or difference arising under this Contract shall be referred under jurisdiction of Chennai to a sole arbitrator to be appointed by the Chairman & Managing Director, Balmer Lawrie & Co. Limited and the provisions of Arbitration and Conciliation Act, 1996 including any statutory modifications or enactment thereof shall apply to the Arbitration proceedings. The fees of the arbitrator, if any, shall be shared equally by both the parties. The award shall be a speaking award stating reason therefor and is final and binding on the parties. The proceeding shall be conducted in English language and courts at Chennai will have exclusive jurisdiction to settle any dispute arising out of this contract.

**BID FORM****1090LM0114 dt. 05.02.2021 due on 17.02.2021**

Description of Material	Estimated Quantity	Unit Price Rs. per No.	Total Amount Rs.
	A	B	A x B
<b>SEAMING ROLLERS FOR SEAMER MACHINE as per enclosed Drawing.</b>			
<u>Specification :</u>			
a. Material of Construction: – HCHCr (high Carbon high chromium) HARDNESS & TEMPERED:62~64 HRC			
1. 20/18G 1 <sup>st</sup> Operation as per drawing (Along with 01 no.s of profile gauge as attached in the drawing ) HSN Code:	10 Number		
2. 20/18G 2 <sup>nd</sup> Operation as per drawing (Along with 01 no.s of profile gauge as attached in the drawing ) HSN Code:	06 Number		
3. Pre Curling Roller as per enclosed Drawing. <u>Specification :</u> Outer Dia - 154mm, x Width – 60mm	03 Number		
<b>Total Basic Value</b>			
<b>GST (        %)</b>			
<b>Gross Value (Incl.tax) Rs.</b>			
<b>Instructions to Bidder</b>			
Material shall be supplied on F.O.R. delivered at our works at 62, Patnam Village, Thavanapalli Mandal, Araconda Road, Chittoor-517131 on “DOOR DELIVERY” basis. Transit insurance shall be arranged by the Vendor.			
<b>AWARD OF CONTRACT:</b>			
a. The lowest [L1] bid will be arrived on the basis of # <b>CUMULATIVE BASIC VALUE</b> price as shown above.			
1. <b>The bidders shall specify period of Warranty / Performance Guarantee for the above item.</b>			
2. <b>INSPECTION:</b> If necessary, the material may be inspected by company at the premises of the successful bidder before delivery. Sample drawn out from the finished job may be tested by company with external testing agency to confirm the material specification.			
<b>Bidders Declaration</b>			
GST No.		e-Mail ID	
PAN( Personal Account No.)		Mobile/Telephone / Fax Nos.	
NSIC / SSI / MSME Reg.No.		Contact Person	
We have quoted our price after studying carefully all the Tender Details, Terms and Conditions and we confirm to have accepted the same.			
<b>Signature of the bidder with Seal &amp; Date</b>			



Item No.	Quantity	Title/Name, designation, material, dimension etc.	Article No./Reference
Designed by YSRK	Checked by JSA	Approved by - date XXX - 00/00/00	Date 02/02/2021
		File name	Scale HTS
		20/18g 1st operation seaming roller	
BALMER LAWRIE & CO. LTD		X	Sheet 1/1

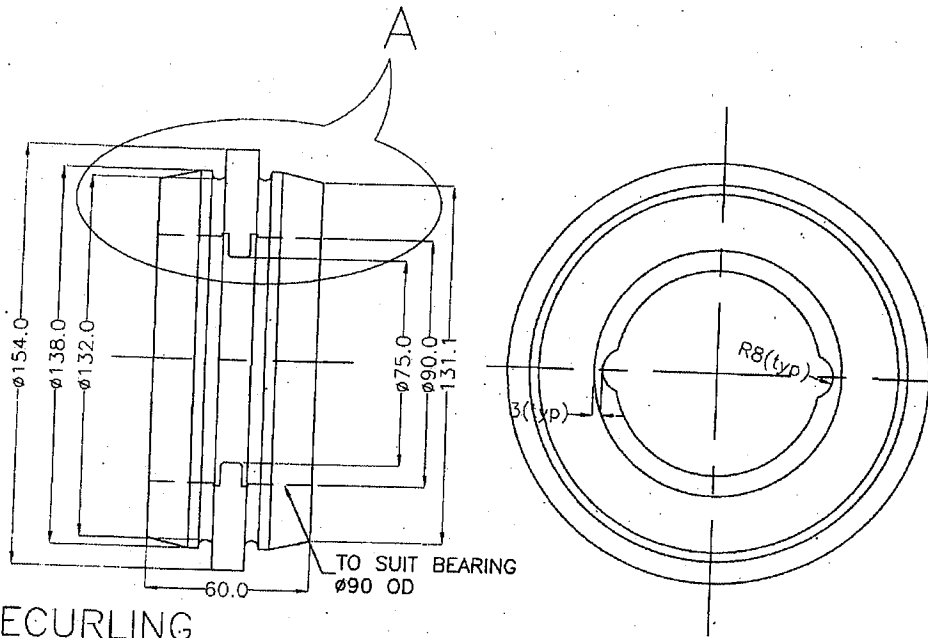


RevNo	Revision note	Date	Signature	Checked
8				

Item No	Quantity	Title/Phase, designation, material, dimension etc	Article No./Reference
Designed by	Checked by	Approved by - date	Date
VSHK	JSA	XXX - 60/00/00	02/02/2021
		File name	Scale
			NIS
BALMER LAWRIE & CO. LTD			20/18g lind operation seaming roller
			Edition
			0
			Sheet
			V1
			8

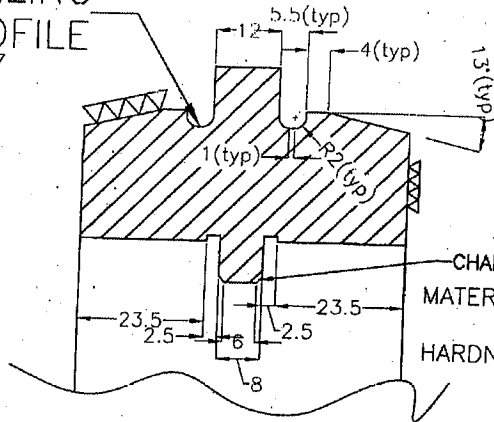
1	2	3	4
RevNo	Revision note	Date	Signature Checked

# PRECURLING ROLLER



TO SUIT BEARING  
Ø90 OD

## PRECURLING PROFILE



CHAMFER 1X1  
MATERIAL: HCHCr  
HARDNESS: 62-64 HRC

DETAIL A  
SCALE 1:1

Itemref	Quantity	Title/Name, designation, material, dimension etc		Article No./Reference	
Designed by VSHK	Checked by J.S.A	Approved by - date XXX - 00/00/00	File name D/PRECURLING	Date 2.2.2021	Scale NTS
BALMER LAWRIE & CO. LTD			PRECURLING ROLLER		
			X	Edition 0	Sheet 1/1