



बामर लारी एण्ड कं. लिमिटेड
(भारत सरकार का एक प्रतिष्ठान)

Balmer Lawrie & Co. Ltd.
(A Government of India Enterprise)

Since 1867

THOROUGH COURIER SERVICE

LIMITED TENDER

Tender No: 1090LM0112 dt: 29.01.2021

M/s. Registered Vendors

Dear Sirs,

Sealed offers are invited for supply of **Machinery Tooling's and PB bushes mentioned in bid form as per enclosed our Design & Drawing** to our barrel plant in line with the **Terms & Conditions, Drawing and Bid Form provided along with the tender.**

In case any clarification the bidders shall contact **Mr. Suresh Antony, AVP(Mfg) [Tel. 08573-281077/88 ext: 11]** on all working days between 10.00AM & 4.00PM.

Your completed bid form in all respect duly sealed and super scribed as **"Limited Tender for SUPPLY OF MACHINERY TOOLING'S AND PB BUSHES"** shall be forwarded to

AVP [Mfg],

M/s. Balmer Lawrie & Co. Ltd.,
(A Govt. of India Enterprises)
Industrial Packaging,
No. 62, Patnam Village & post,
Thavanam palli mandal,
Araconda Road, Chittoor-517131.

The last date for submission of bid for the above tender is on or before **12.02.2021 at 3.00PM.**

The tender document is also available in our company's website www.balmerlawrie.com.

Thanking you

Yours faithfully

for Balmer Lawrie & Co. Ltd.

J.S. Antony

AVP (Mfg)

Ph: 08573-281077/88 E-Mail: antony.js@balmerlawrie.com

Balmer Lawrie
INDUSTRIAL PACKAGING

पंजीकृत कार्यालय : 21, नेताजी सुभाष रोड, कोलकाता - 700 001. (भारत) Registered Office : 21, Netaji Subhas Road, Kolkata - 700 001. (India) Website: www.balmerlawrie.com Page 1 of 9

• Industrial Packaging • Greases & Lubricants • Leather Chemicals • Travel & Vacations • Logistics • Refinery & Oil field services

TERMS AND CONDITIONS

1. The term “Company (or) BL” wherever mentioned in the tender document refers to “BALMER LAWRIE & CO. LTD.”
2. The term “bidder” means the firm or company with whom the order is placed and shall be deemed to include the bidder, successors, representatives, heirs, executors and administrators duly approved by the company.
3. Period of Supply: **Within 30 days from the date of receipt of our Purchase order.**
4. The offer shall be submitted in our enquiry format only and any Conditional offers will be discretion of BLCL.
5. The offer must be kept valid for a minimum period of **60 Days** from the date of opening the offer.
6. The price quoted by the bidder shall remain valid till the supply is completed. During the tenure of the supply period, no price increase will be considered, except for change in statutory levies imposed by Union / State Govt. / Local authorities.
7. It may be noted that the order shall be finalized only on the lowest quoted bidder and it would be in the interest of the **bidder to quote the most competitive price.**
8. **Payment: 95 % of the total value including full tax will be paid within 30 days from the date of supply & 5% of the basic value will be kept as retention money for performance guarantee and will be paid after 60 days.**
9. **Penalty Clause:** Any failure on the part of the vendor to supply the material as per the delivery schedule, required quantity, approved quality etc. will be viewed seriously. Further, the company reserves the right to procure the material from other sources at the then prevailing price and the additional cost if any incurred in this process will be recovered from the vendor. Also the vendor may be debarred from participating in future tenders of the company.
10. The bids of any bidder may be rejected if a conflict of interest between the bidder and the Company is detected at any stage.
11. Late tenders / delayed tenders including postal delay and those not conforming to the prescribed terms and conditions will not be considered at all.
12. The company would not carry out any negotiations except with such bidders who is / are the lowest quoted bidders originally. As such it would be in the interest of the bidders to quote the lowest possible rate.
13. Only Registered vendors are eligible to apply. Bids from non-registered vendors are liable to be rejected. Any non- registered vendor interested in supplying the material/service may register with the company and shall be eligible for participation from the next tender onwards.
14. It shall be understood that every endeavor has been made to avoid error which may materially affect the basis of the tender and the successful bidder will take upon himself to provide for risk of any error which may subsequently be discovered and shall make no subsequent claim on account thereof.
15. **ARBITRATION:-** Any dispute or difference arising under this Contract shall be referred under jurisdiction of Chennai to a sole arbitrator to be appointed by the Chairman & Managing Director, Balmer Lawrie & Co. Limited and the provisions of Arbitration and Conciliation Act, 1996 including any statutory modifications or enactment thereof shall apply to the Arbitration proceedings. The fees of the arbitrator, if any, shall be shared equally by both the parties. The award shall be a speaking award stating reason therefor and is final and binding on the parties. The proceeding shall be conducted in English language and courts at Chennai will have exclusive jurisdiction to settle any dispute arising out of this contract.

BID FORM**1090LM0112 dt. 29.01.2021 due on 12 .02.2021**

S.No	Description of Material	Estimated Quantity	Unit Price	Total
		A	Rs. per No. B	Amount Rs. A x B
1.	1 st LINE OPEN TOP BARREL FLANGE CURLING RING AS PER DRAWING ENCLOSED	1 No.s		
2.	1 st LINE TIGHT HEAD FLANGING RING AS PER DRAWING ENCLOSED	1 No.s		
3.	FLANGING TOOL HOLDER RING AS PER DRAWING ENCLOSED	1 No.s		
4.	1 st LINE SEAMER M/C MAIN DRIVE SHAFT HOLDING SPLITPB BUSH AS PER DRAWING ENCLOSED	2 No.s		
5.	2 nd LINE SEAMER M/C MAIN DRIVE SHAFT HOLDING SPLIT PB BUSH AS PER DRAWING ENCLOSED	2 No.s		
6.	CORRUGATOR DRIVE SHAFT SPLIT PB BUSH AS PER DRAWING ENCLOSED	4 No.s		
Basic Total				
GST _____%				
*Total Nett Delivered Amount Rs.				

Instructions to Bidder

- 5% basic value will be kept as retention money for performance guarantee and will be paid after 90 days
- The " Total Nett Delivered Amount " shall be inclusive of freight on F.O.R. at our plant No.62, Patnam Village & Post, Thavanma Palli Mandal, Araconda Road, Chittoor-517131 on "DOOR DELIVERY" basis inclusive of transit insurance.
- AWARD OF CONTRACT:** The lowest [L1] bid would be arrived on the basis of "Cumulative Nett Delivered Amount " as above and 100% order will be placed on the L1 quoted bidder.
- The bidders shall specify "Period of Warranty / Guarantee" for the above work against any Fabrication defect / Quality of Material used.**
- INSPECTION:** If necessary, the material may be inspected by company at the premises of the successful bidder before delivery. Sample drawn out from the finished job may be tested by company with external testing agency to confirm the material specification.

Bidders Declaration

GST No.		E-Mail ID	
PAN(Personal Account No.)		Mobile/Telephone / Fax Nos.	
NSIC / SSI / MSME Reg.No.		Contact Person	

We have quoted our price after studying carefully all the Tender Details, Terms and Conditions and we confirm to have accepted the same.

Signature of the bidder with Seal & Date

RevNo | Revision note | Date | Signed/Checked

8 | | | 8

7 | | | |

6 | | | |

5 | | | |

4 | | | |

3 | | | |

2 | | | |

1 | | | |

A | B | C | D | E | F

8 | 7 | 6 | 5 | 4 | 3 | 2 | 1

8 | 7 | 6 | 5 | 4 | 3 | 2 | 1

8 | 7 | 6 | 5 | 4 | 3 | 2 | 1

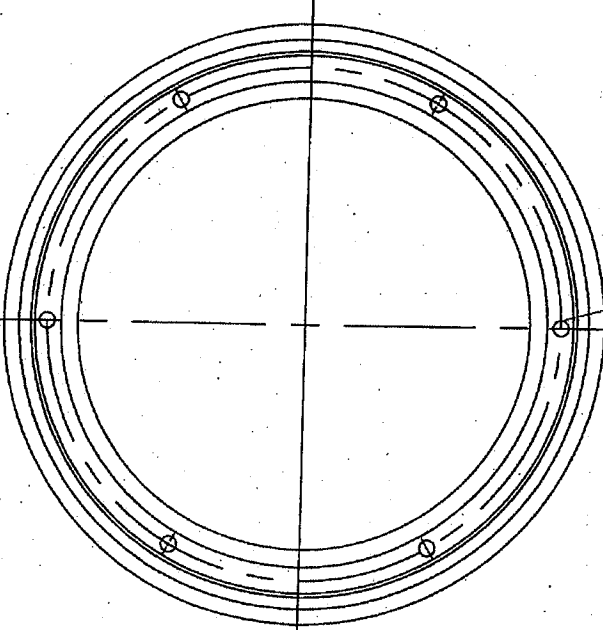
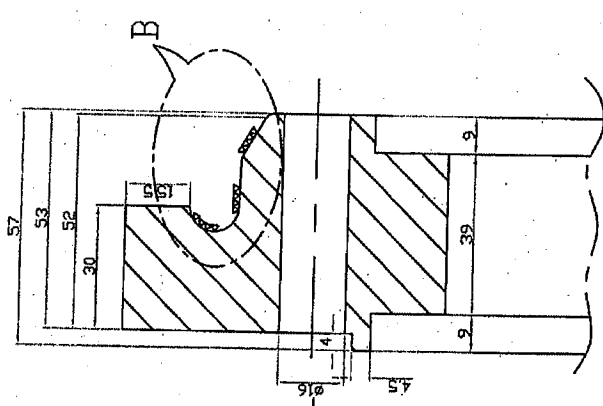
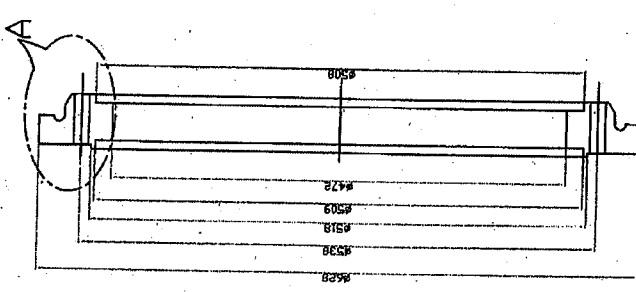
8 | 7 | 6 | 5 | 4 | 3 | 2 | 1

8 | 7 | 6 | 5 | 4 | 3 | 2 | 1

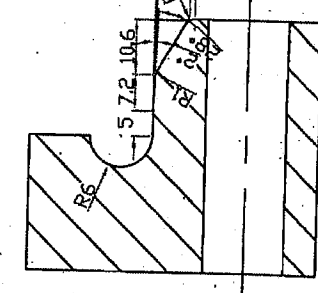
8 | 7 | 6 | 5 | 4 | 3 | 2 | 1

8 | 7 | 6 | 5 | 4 | 3 | 2 | 1

8 | 7 | 6 | 5 | 4 | 3 | 2 | 1



Ø67 HILES GROS. ENRUSPACED
IN PROJ. 05/05/03



DETAIL A

MATERIAL: EN94FOLDI
HARDNESS: 58-60. HRC.
SURFACE HARDNESS FOR 16MM DEPTH
VVVV
GROUNDED AND
PUBLISHED
FINISH

DETAIL B

Itemref	Quantity	Title/Name, designation, material, dimension etc	Article No./Reference
Designed by VSRK	Checked by JSA	Approved by - date XXX - 07/00/09	Date 00/00/00
		File name D/REMARKAR	Scale NTS
BALMER LAWRIE & CO. LTD			Sheet 1/1
I LINE OPEN TOP BARREL FLANGE CURLING RING			Edition 0
			8

8
Signature Checked

7
Date

6
Revision note

5

4

3

2

1

A

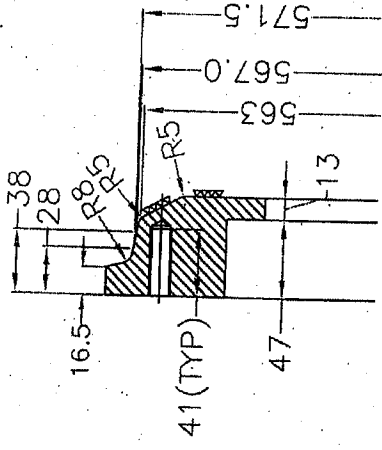
B

C

D

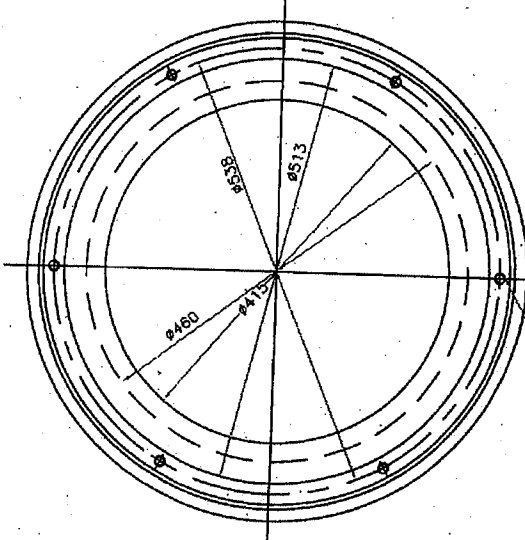
E

F

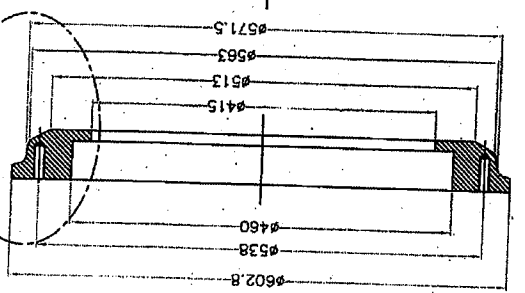


DETAIL A

MATERIAL: EN94FOLDI
HARDNESS: 58-60 HRC
SURFACE HARDNESS FOR 16MM DEPTH
VVVV GROUND AND
POLISHED FINISH



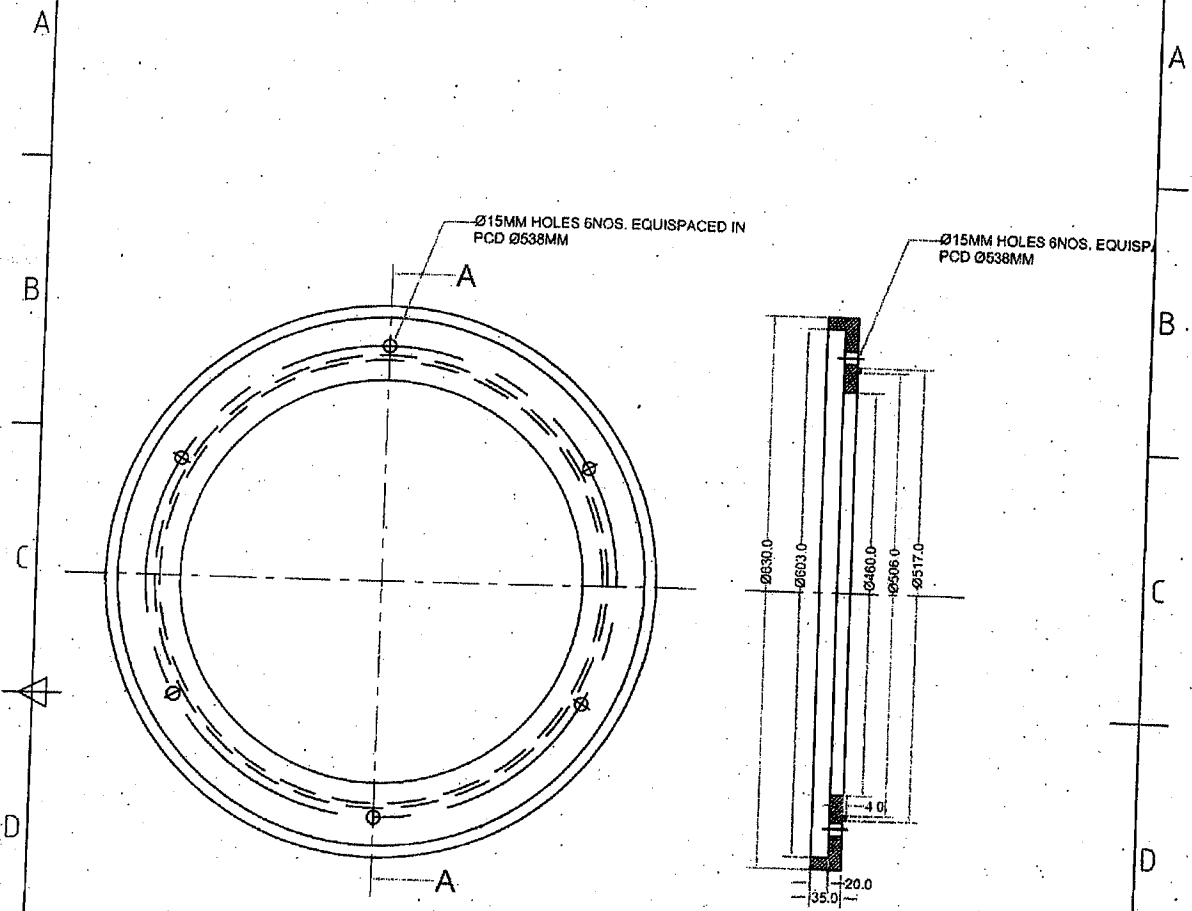
6.8" BSW TAPPED HOLES 41MM LONG
6NCS EQUISPACED IN PCD 453.8MM



Itemref	Quantity	Title/Name, designation, material, dimension etc	Article No./Reference
Designed by VSHK	Checked by JSA	Approved by - date XXX - 00/00/00	Date 16/09/15
			Scale 3:5
BALMER LAWRIE & CO. LTD IP-CHITTOOR			Edition 0
I LINE TIGHT HEAD BARREL FLANGING RING			Sheet 7/1

8
7
6
5
4
3
2
1
A
B
C
D
E
F

1	2	3	4
RevNo	Revision note	Date	Signature Checked

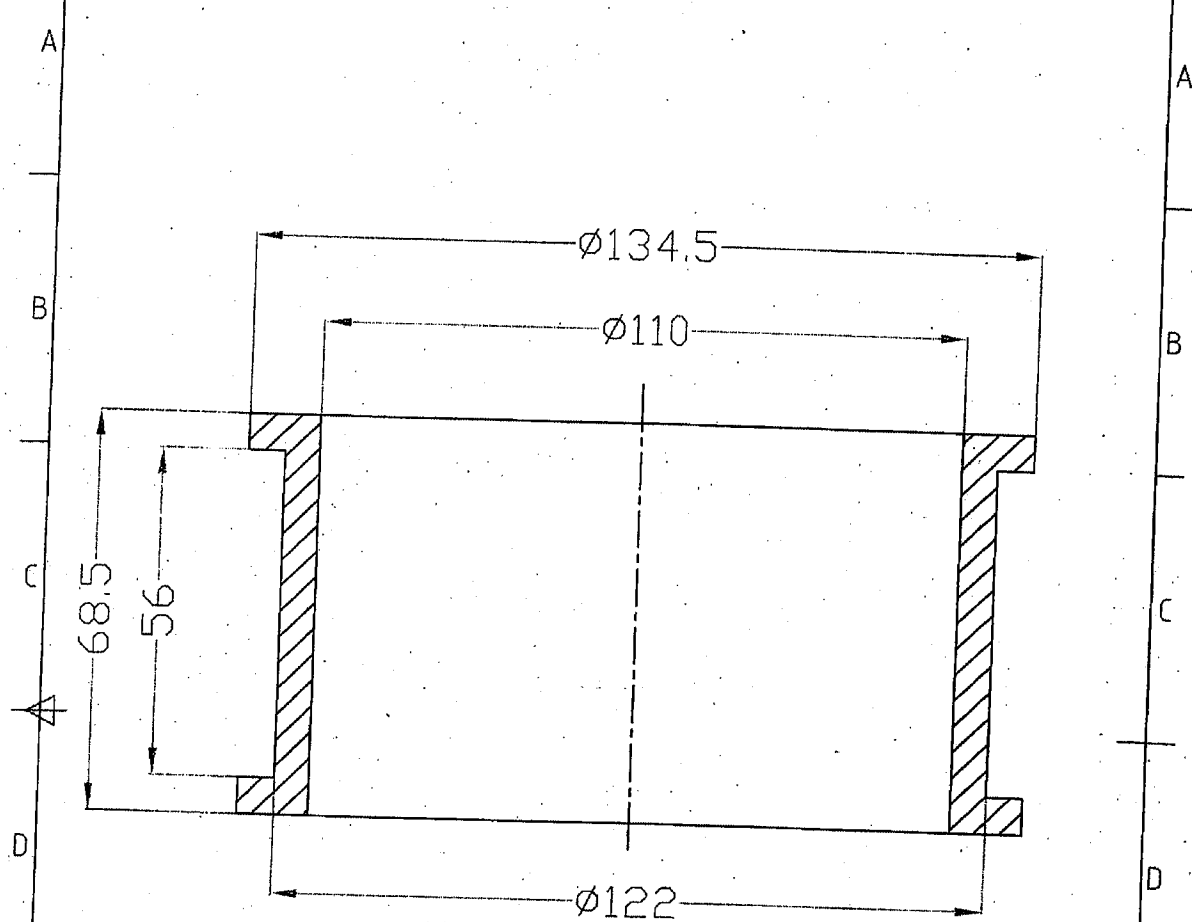


ALL DIMENSIONS ARE IN MM

SECTION A-A

Itemref	Quantity	Title/Name, designation, material, dimension etc			Article No./Reference	
Designed by VSHK	Checked by JSA	Approved by - date JSA-7.1.2021	File name D/HEMAKUMAR	Date 7.1.2021	Scale NTS	
BALMER LAWRIE & CO. LTD			FLANGING TOOL HOLDER RING			
X				Edition 0	Sheet 1/1	

1	2	3	4
RevNo	Revision note	Date	Signature
			Checked

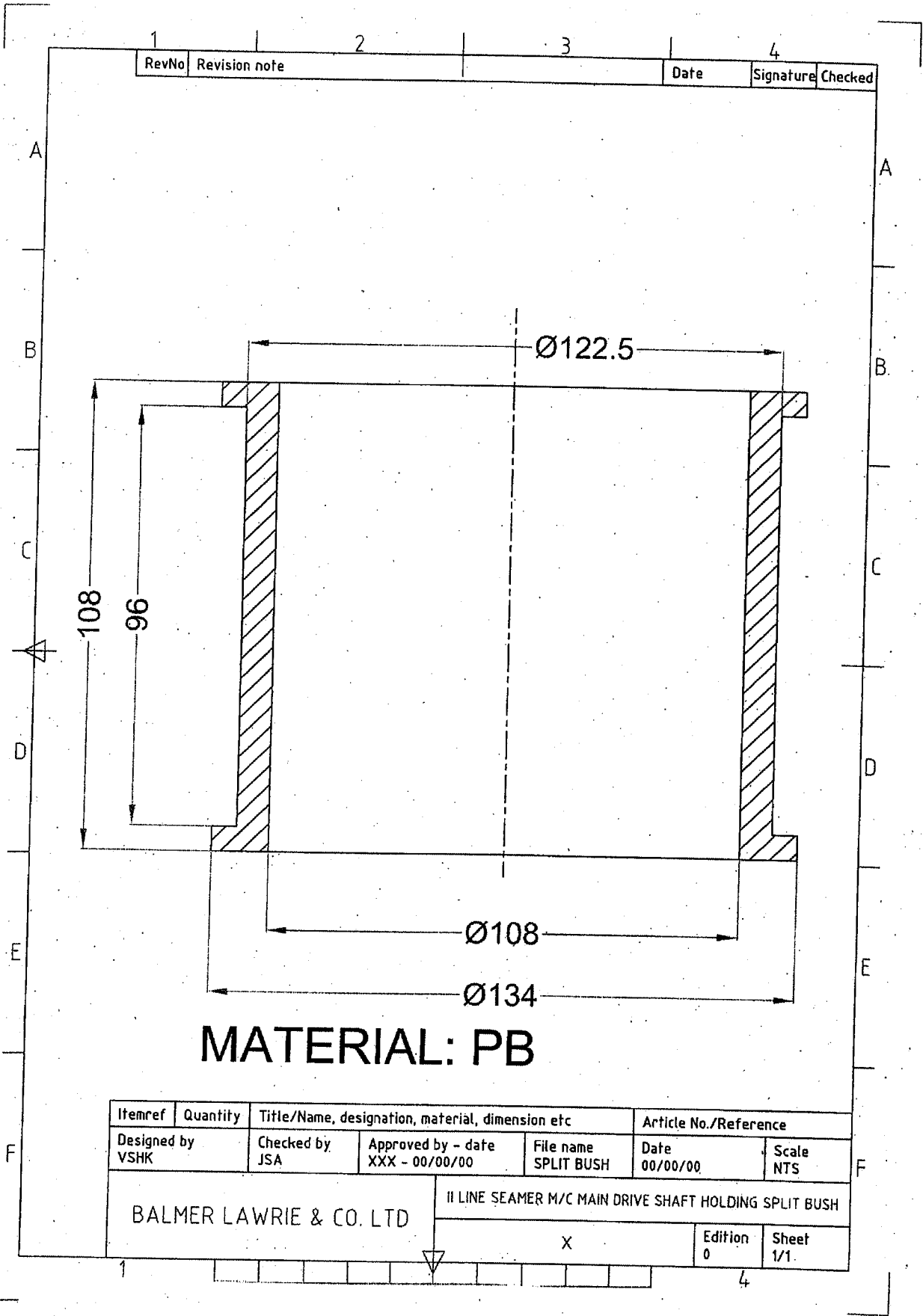


SPLIT BUSH

MATERIAL: PB

Itemref	Quantity	Title/Name, designation, material, dimension etc	Article No./Reference		
Designed by VSHK	Checked by JSA	Approved by - date XXX - 00/00/00	File name SPLIT BUSH	Date 00/00/00	Scale 1:1
BALMER LAWRIE & CO. LTD			I LINE SEAMER M/C MAIN DRIVE SHAFT HOLDING SPLIT BUSH		
X				Edition 0	Sheet 1/1

1 4



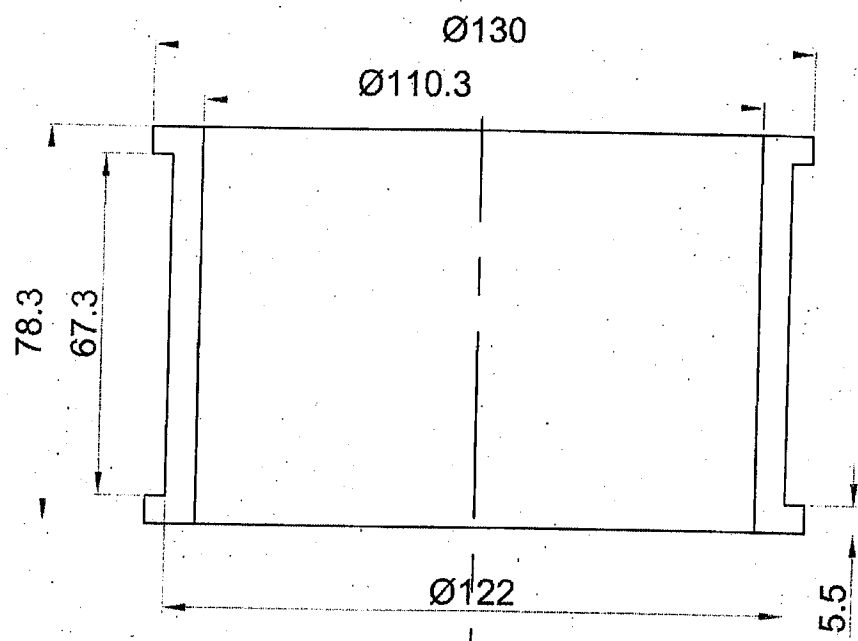
1	2	3	4
RevNo	Revision note	Date	Signature Checked

MATERIAL: PB

Itemref	Quantity	Title/Name, designation, material, dimension etc			Article No./Reference	
Designed by VSHK	Checked by JSA	Approved by - date XXX - 00/00/00	File name SPLIT BUSH	Date 00/00/00	Scale NTS	
BALMER LAWRIE & CO. LTD			II LINE SEAMER M/C MAIN DRIVE SHAFT HOLDING SPLIT BUSH			
			X	Edition 0	Sheet 1/1.	

1	2	3	4
RevNo	Revision note	Date	Signature Checked

MAIN DRIVE SHAFT PLUMBER BLOCK SPLIT BUSH



MATERIAL: PB

ALL DIMENSIONS ARE IN MM

Itemref	Quantity	Title/Name, designation, material, dimension etc			Article No./Reference	
Designed by VSHK	Checked by JSA	Approved by - date XXX - 00/00/00	File name D/HEMAKUMAR	Date 8.1.2021	Scale NTS	
BALMER LAWRIE & CO. LTD			CORRUGATOR DRIVE SHAFT SPLIT BUSH			
			X	Edition 0	Sheet 1/1	