



Limited Tender : 1070LM0222 dtd 25.10.2019

Please note “Response from Registered Vendors alone will be accepted” for participation in this Limited Tender.

In case your firm is already Registered & Approved Vendor of Industrial Packaging (or) other units of M/s. Balmer Lawrie & Co. Ltd., elsewhere in India, the details of the same to be provided prior to participating in this tender.

Other vendors may contact the undersigned for registering with the unit which is subject to confirmation by our company. Only after confirmation of their registration, they would be considered for participation in the subsequent tenders. “

Dear Sir,

Sealed offers are invited for **Manufacture & Supply of Square Sleeve for DEES** as per drawing to Barrel Plant, **Balmer Lawrie & Co. Ltd., Industrial Packaging, Manali, Chennai – 600 068**. The **Terms & Conditions** and **Bid Form** of this tender are enclosed herewith.

In case of clarification, the bidders may contact Mr. **S. Kannappan** Manager (Mfg) / Mr. **S. Rajasekaran**, Executive (Prodn.) Ph No. **044-2594 6644** during office hours between **10.00AM and 4.00PM**.

Completed tender form by the bidders in all respect duly sealed and super scribed as **“Tender for Manufacture & Supply of Square Sleeve for DEES”** should reach

**Asst. Manager (Purchase)
M/s. Balmer Lawrie & Co. Ltd.,
(A Govt. of India Enterprise)
Industrial Packaging,
No.32, Sathangadu Village,
Manali, Chennai-600 068.**

The bidders shall send their bids either by courier / post (or) dropped in the Tender Box kept at the above address.

The last date for submission of bids for the above tender is on or before 07.11.2019 at 3.00 PM.

Details of the tender are also available in our company's website www.balmerlawrie.com

Thanking you

Yours faithfully
for Balmer Lawrie & Co. Ltd.

(RAMESH. S)
Asst. Manager (Purchase)
☎ -044-2594 6651 ✉ - sambath.r@balmerlawrie.com

Balmer Lawrie & Co. Ltd. GSTN-3AABCB0984E1Z2



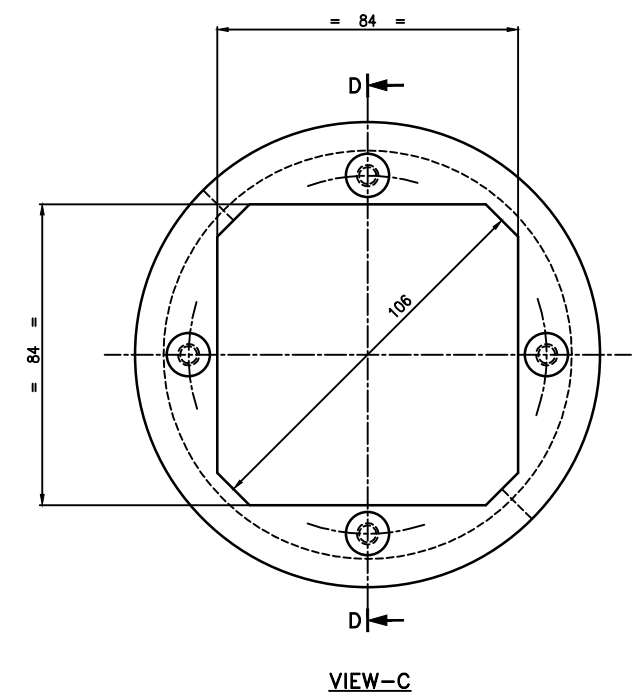
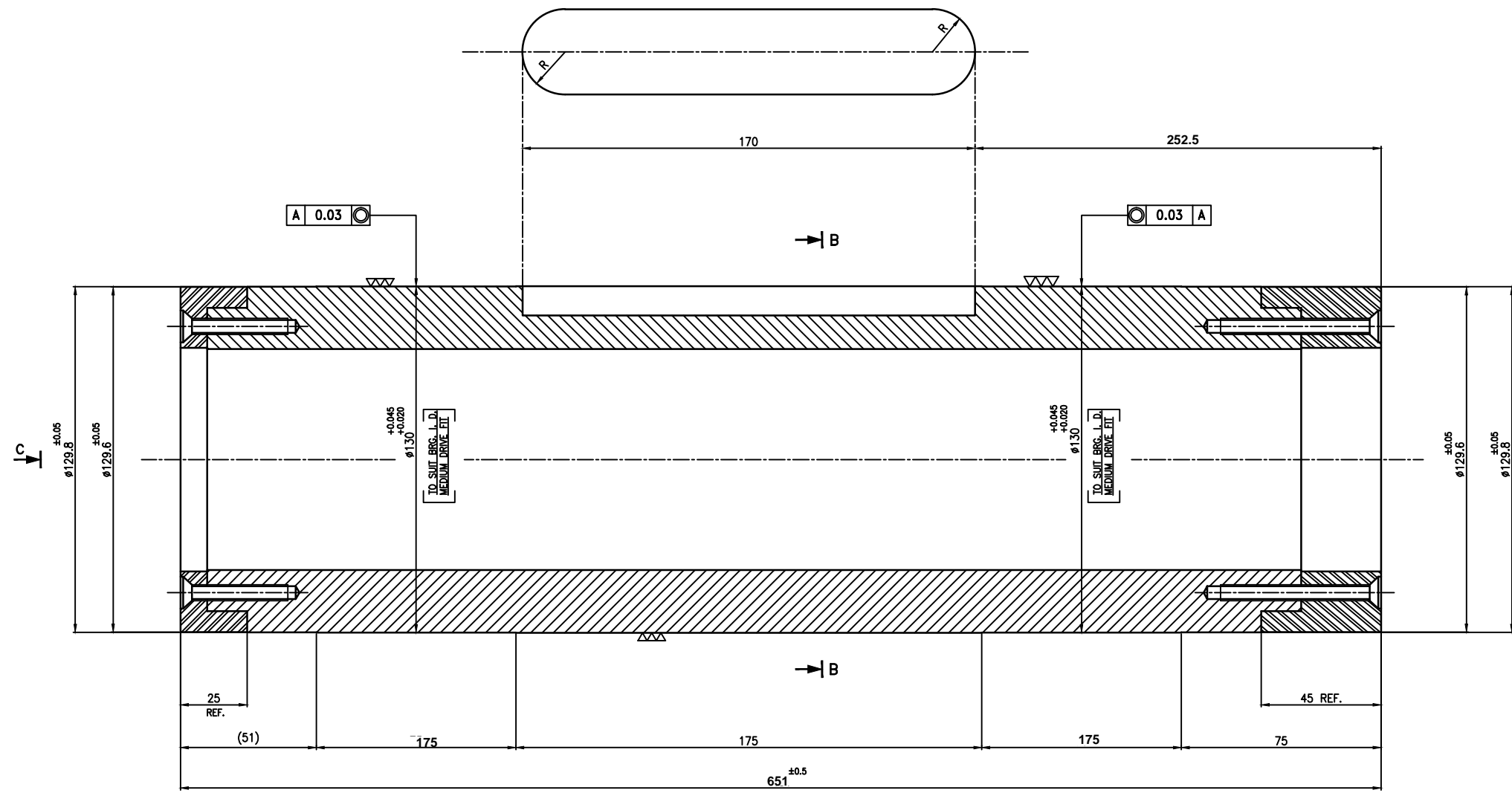
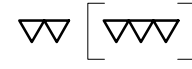
TERMS AND CONDITION

1. The term “**Company (or) BL**” wherever mentioned in the tender document refers to “**BALMER LAWRIE & CO. LTD.**”
2. The term “**bidder**” means the firm or company with whom the order is placed and shall be deemed to include the bidder, successors, representatives, heirs, executors and administrators duly approved by the company.
3. Period of Supply: **Within 45 days from the date of receipt of our Purchase order.**
4. The offer shall be submitted in our enquiry format only and any conditional offers will not be accepted.
5. The offer must be kept valid for a minimum period of **90 Days** from the date of opening the offer.
6. The price quoted by the bidder shall remain valid till the supply is completed. During the tenure of the supply period, no price increase will be considered, except for change in statutory levies imposed by Union / State Govt. / Local authorities.
7. It may be noted that the order shall be finalized only on the lowest quoted bidder and it would be in the interest of the **bidder to quote the most competitive price.**
8. Payment: **30 days from the date of receipt of material at our Stores.**
9. **Penalty Clause:** Any failure on the part of the vendor to complete the work, required quality etc. will be viewed seriously. Further, the company reserves the right to get the work completed from the other sources at the then prevailing rate and the additional cost if any incurred in this process will be recovered from the successful bidder. Also the successful bidder may be debarred from participating in future tenders of the company.
10. The bids of any bidder may be rejected if a conflict of interest between the bidder and the Company is detected at any stage.
11. Late tenders / delayed tenders including postal delay and those not conforming to the prescribed terms and conditions will not be considered at all.
12. The company would not carry out any negotiations except with such bidders who is / are the lowest quoted bidders originally. As such it would be in the interest of the bidders to quote the lowest possible rate.
13. It shall be understood that every endeavor has been made to avoid error which may materially affect the basis of the tender and the successful bidder will take upon himself to provide for risk of any error which may subsequently be discovered and shall make no subsequent claim on account thereof.
14. **ARBITRATION:- Any dispute or difference arising under this Contract shall be referred under jurisdiction of Chennai to a sole arbitrator to be appointed by the Chairman & Managing Director, Balmer Lawrie & Co. Limited and the provisions of Arbitration and Conciliation Act, 1996 including any statutory modifications or enactment thereof shall apply to the Arbitration proceedings. The fees of the arbitrator, if any, shall be shared equally by both the parties. The award shall be a speaking award stating reason therefor and is final and binding on the parties. The proceeding shall be conducted in English language and courts at Chennai will have exclusive jurisdiction to settle any dispute arising out of this contract.**

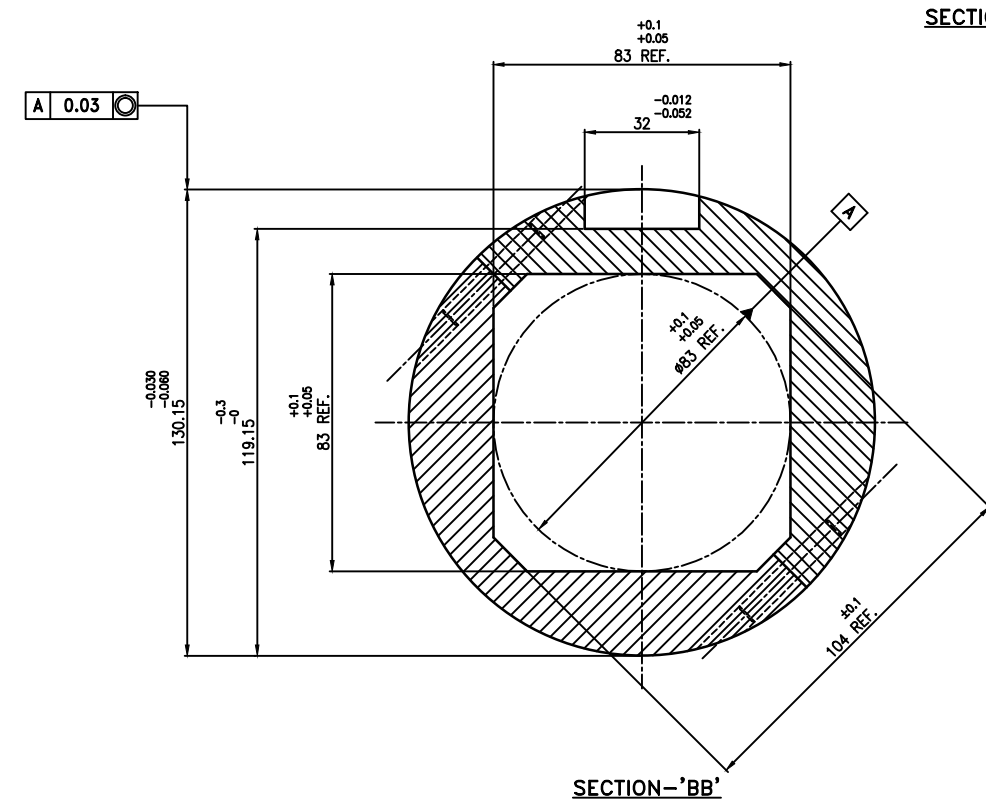
BID FORM

1070LM0222 Dated 25.10.2019 due on 07.11.2019

Item Description & Nature of Work	Estimated Quantity (A)	Unit Price(B) Rs. per Set	Total Amount Rs. (A x B)
<p>Manufacture & Supply of Square Sleeve for Double End Double Seaming Machine as per attached Drawing.</p> <p>1. Sleeves will be supplied as two half's with both end covers as per the drawing</p> <p>2. Material of Construction: EN24 Forged (to be stress relieved and tested ultrasonically prior to machining.).</p> <p>3. All dimensions are in millimeter (mm).</p> <p>4. Necessary Fasteners to be provided along with the sleeve.</p>	2 Set.		
Freight Charges by road	Lump sum Rs.		
Goods & Service Tax	%		
* Total Nett Delivered Price Rs.			
<p>1. The rate quoted by successful bidder shall be inclusive of packing & forwarding and transit insurance.</p> <p>2. Award of Contract: 100% order will be placed on the L1 (Lowest) quoted bidder on *Total Nett Delivered basis.</p> <p>3. Inspection: If necessary, the item may be inspected by company at successful bidder's premises before delivery.</p>			
GST No.		PAN (Personal Account No.)	
Contact Person		Telephone Nos.	
E-Mail ID		Fax Nos.	
<p>We have quoted our price after studying carefully all the Tender Details, Terms and Conditions and we confirm to have accepted the same.</p>			
<p>Signature of the bidder with Seal & Date</p>			



SECTION-'DD'



SECTION-'BB'

QUANTITY - 2 NOS./ M/c

Balmer Lawrie & Co. Ltd. (A Govt. of India Enterprise) ENGINEERING DESIGN & DEVELOPMENT CENTRE			
Machine	D E D S	Scale	1:1
Assy. Drg. No.		Drawn	CICC
		Checked	
		Approved	
Date		05.02.10	For: CONTAINER DIV. BOMBAY
Title:		ASSY. SQUARE SLEEVE	
JOB NO. EB-01		DRG. NO. DS/ED/CB/D/021	sh. 1 of 1 rev.

This drawing is the property of Balmer Lawrie & Co. Ltd. and shall not be disclosed to a third party, copied or used without the written consent of Balmer Lawrie & Co. Ltd.