

Balmer Lawrie

INDUSTRIAL PACKAGING

P-4/1, Oil Installation Road
Paharpur, Kolkata-700088

Tender No: IPS0000184

Date: 04.05.2018

Due date : 14.05.2018

Sealed offers are invited for the under mentioned item. You are requested to submit offer in your letter head duly stamped and signed with sealed condition super scribing Tender Enquiry no on the top.

Item Description

Quantity

PRE-CURLING ROLLER
[AS PER DRAWING ATTACHED]

2 Nos

Please note the following before submitting your rate :-

1. Please submit your offer rate for each no. Taxes/duties and any other charges should be shown separately.
2. The price quoted should include free delivery of the goods to our Works.
3. Offer received after the due date mentioned above will not be considered.
4. After placement of order, if it is observed that the materials supplied are not exactly according to the specification / approved sample, such supplies will be rejected and replacement to be given at supplier's cost.
5. Our payment term is 30 days from the date of receipt of your invoice.
6. Your offer should remain valid for a period of 45 days from the due date.
7. The vendor, if felt necessary, may visit our plant for further information.
8. Any offer received which is found to be not in line with our tender will not be accepted.
9. Vendor should specifically mention the GUARANTEE/WARRANTY clause of the product they are offering.

ARBITRATION

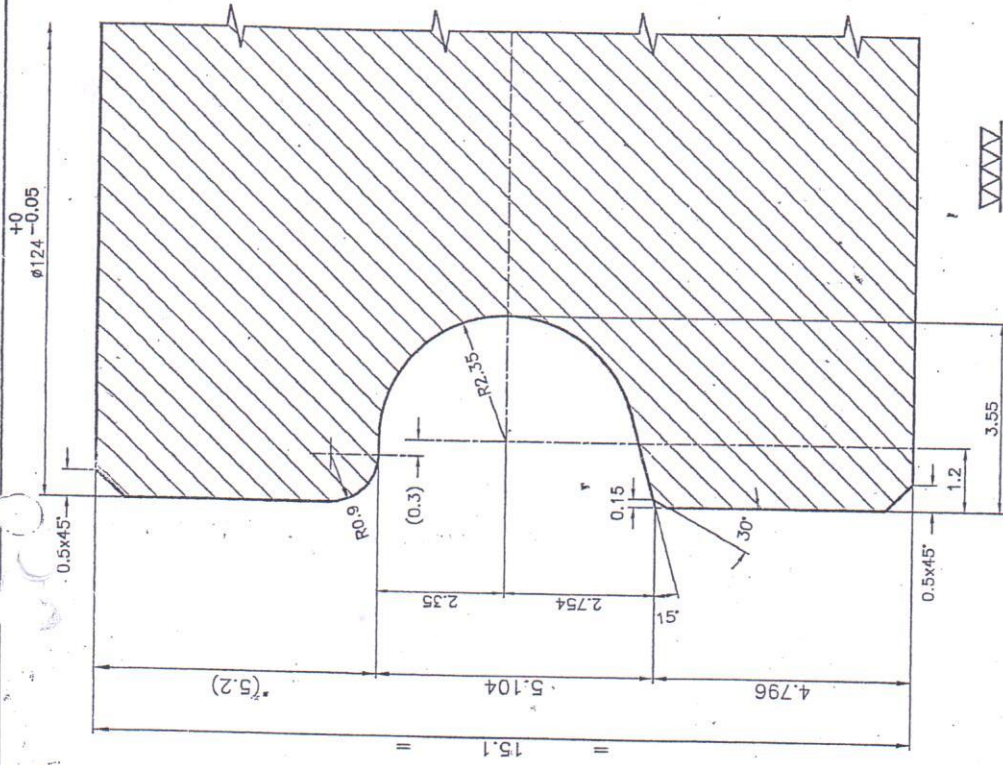
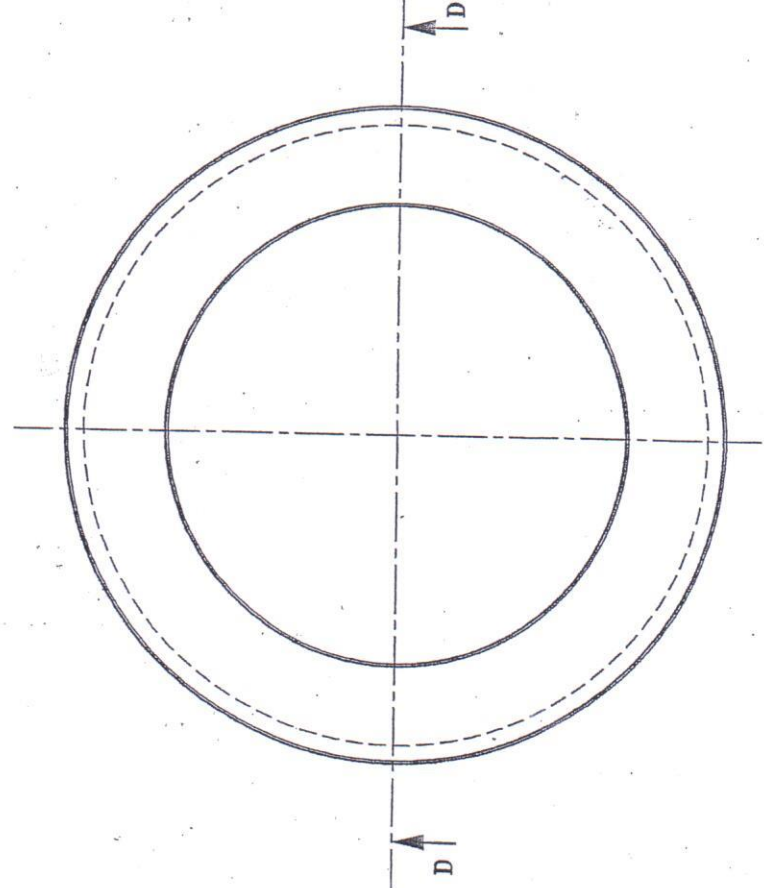
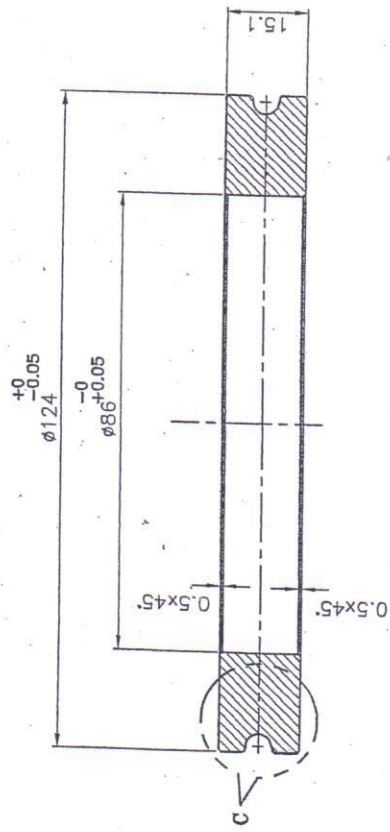
Any dispute or difference arising under this Contract shall be referred under jurisdiction of Kolkata to a sole arbitrator to be appointed by the Chairman & Managing Director, Balmer Lawrie & Co. Limited and the provisions of Arbitration Act, 1996 including any statutory modifications or enactment thereof shall apply to the Arbitration proceedings. The fees of the arbitrator, if any, shall be shared equally by both the parties. The award shall be a speaking award stating reason therefore and is final & binding on the parties. The proceeding shall be conducted in English language and courts at Kolkata will have exclusive jurisdiction to settle any dispute arising out of this contract

VENDOR RESPONSE

Response from registered Vendors alone will be accepted and that other interested Vendors may seek to register with the unit and subject to such registration being confirmed, they would be considered for subsequent Tenders.

Yours faithfully,
for BALMER LAWRIE & CO. LTD.
Industrial Packaging Kolkata

Robin Martin
(Manager-Coml)



ENLARGE VIEW OF - C
SCALE: 10:1

SL. NO.	DESCRIPTION	DRG. NO.	MATL.	QTY.	REMARKS
Balmer Lawrie & Co. Ltd. (A Govt. of India Enterprise) ENGINEERING DESIGN & DEVELOPMENT CENTRE					
Machine		PRE - CURLING (SARDENIA)	Material:-- TUNGSTEN CARBIDE SANDVIK GR, D230		Qty: 1 No.
Assy. Drg. No.			Date		Title
			30.09.08		PRE CURLING ROLLER
			Checked		
			Approved		
			M/C		
JOB NO.	DRG. NO. EDDC/SKT/122	Sht. of		rev.	
		1		1	

This drawing is the property of Balmer Lawrie & Co. Ltd. and shall not be disclosed to a third party or used without the written consent of Balmer Lawrie & Co. Ltd.