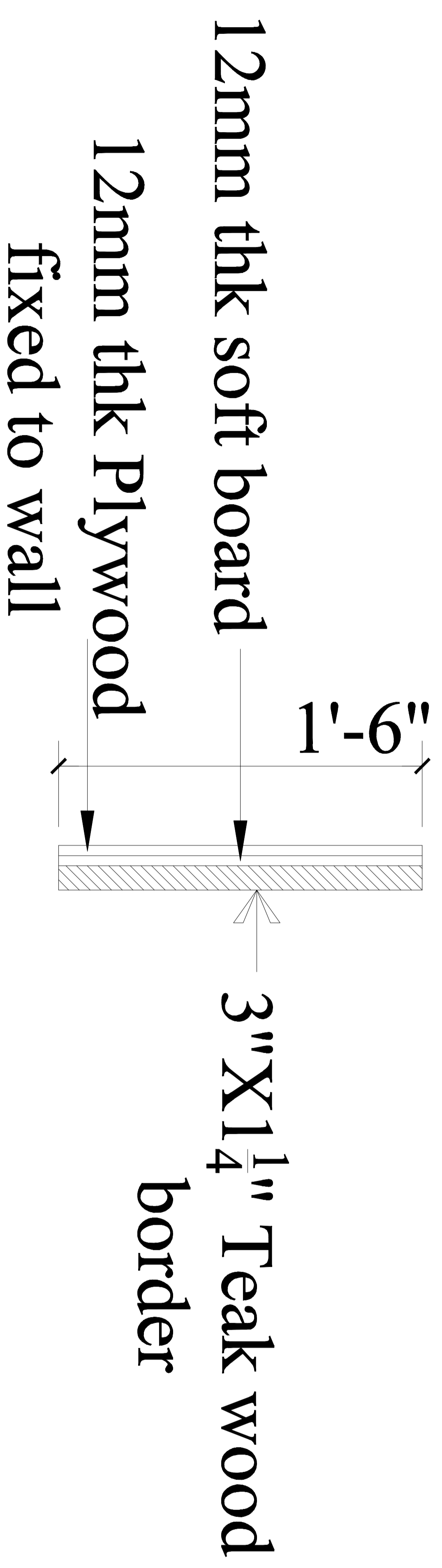


ELEVATION



SECTION XX'

NOTE:1) All Dimensions are in mm, feet & inches
2) Do not scale the Dwg. Only written Dimensions are to be followed

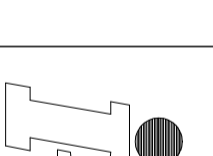
REV	DESCRIPTION	DATE

CLIENT: BALMER LAWRIE

PROJECT: BL LOGISTICS
SHAMSHABAD

DWG TITLE: TYPICAL DETAILS OF PIN BOARD

DATE : 17-01-2017	DRAWN: A. RAHMAN
SHEET - 05	CHECKED: K.N.C
SCALE : N.T.S	APPROVED: K.N.C
OWNERS SIGNATURE	



INDRAPRASTA CONSULTANTS
STRUCTURAL ENGINEERS, ARCHITECTS, INTERIOR DESIGNERS
810, 2nd floor, Flat # 302, Rd. # 2, Castle Hills, Masab tank, Hyderabad.
Phone No. 23535442, 98480-25598.
E-Mail : chandrasekaran.kn@gmail.com