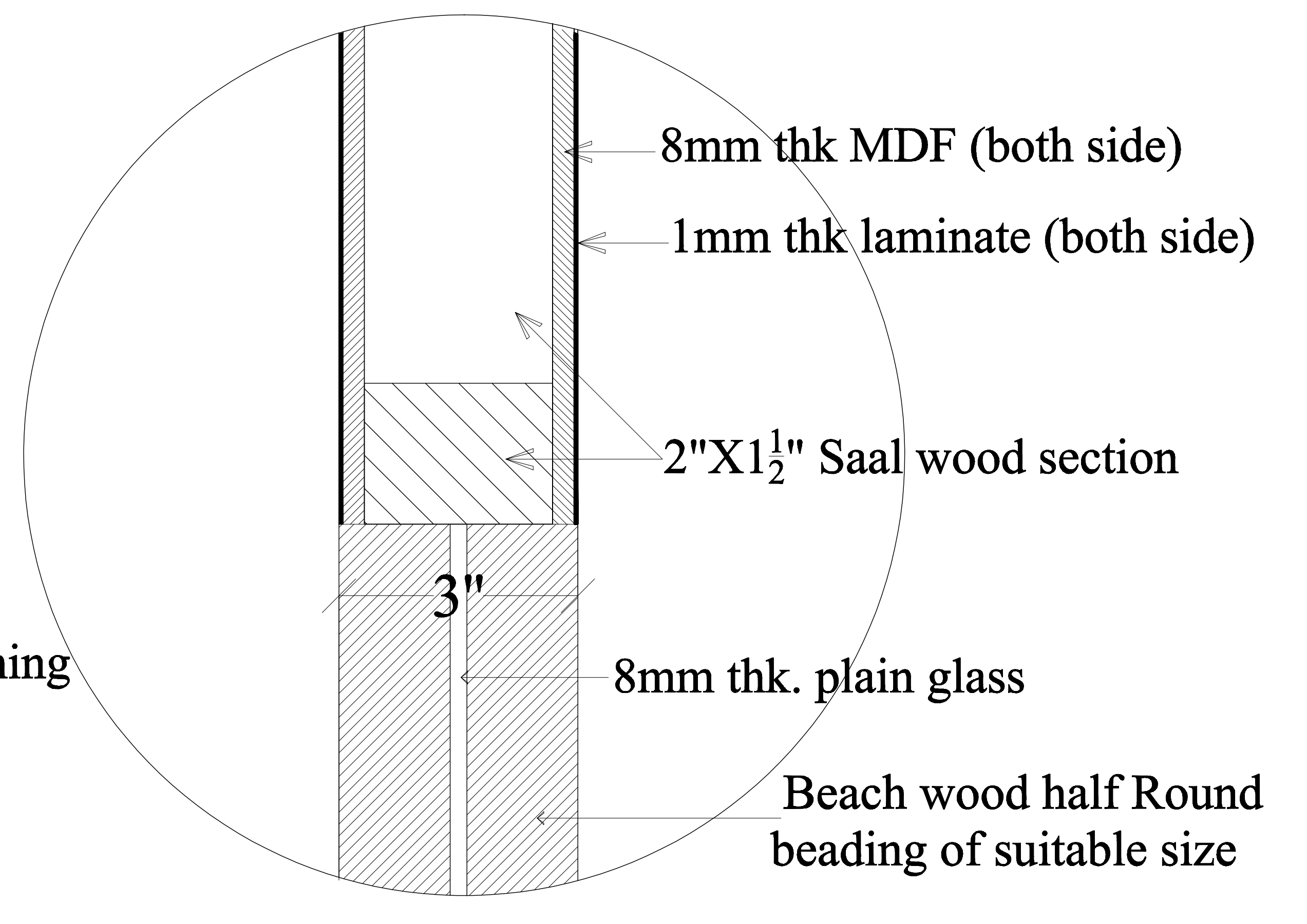
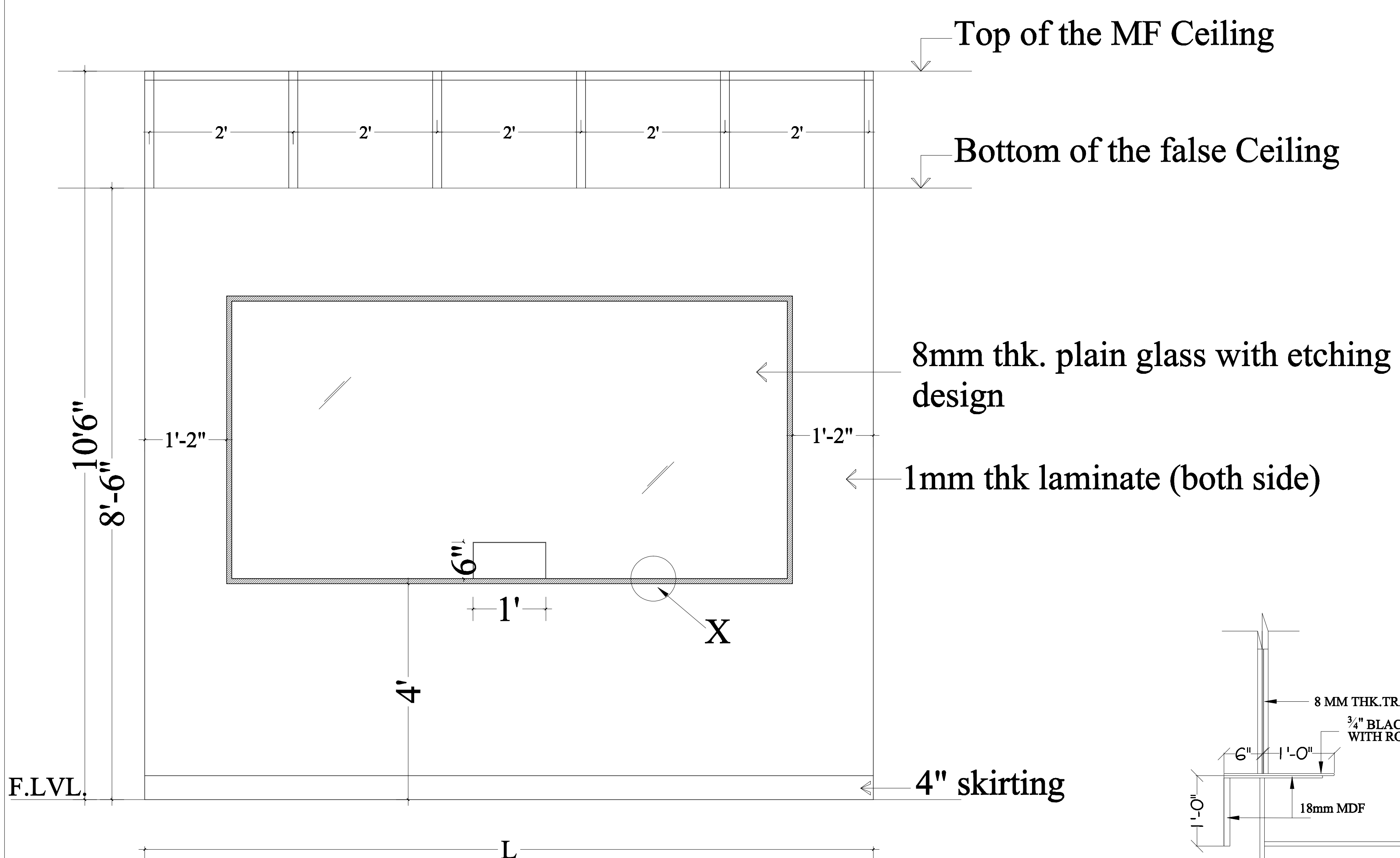


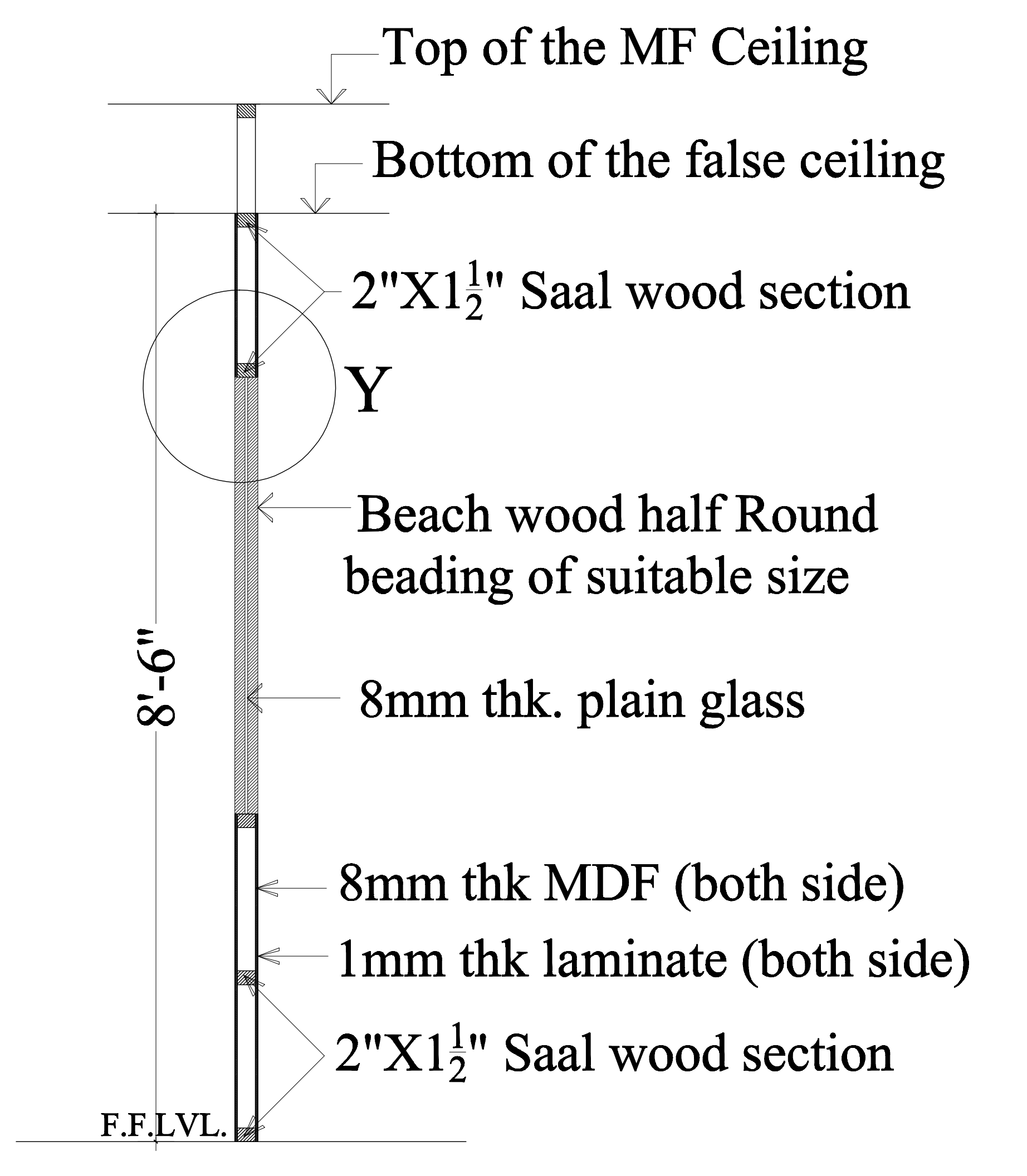
SECTIONAL ELEVATION



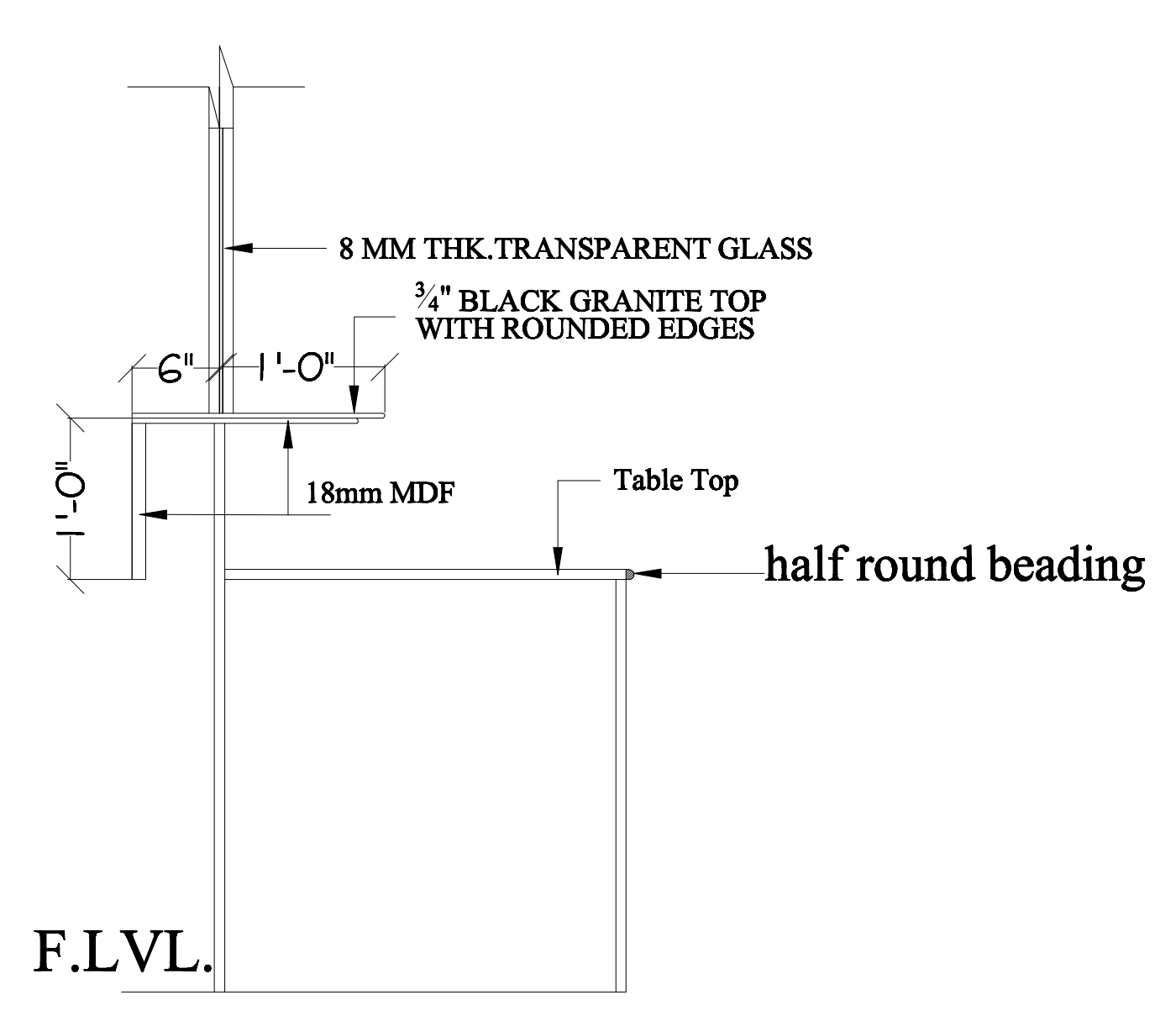
DETAIL @ Y



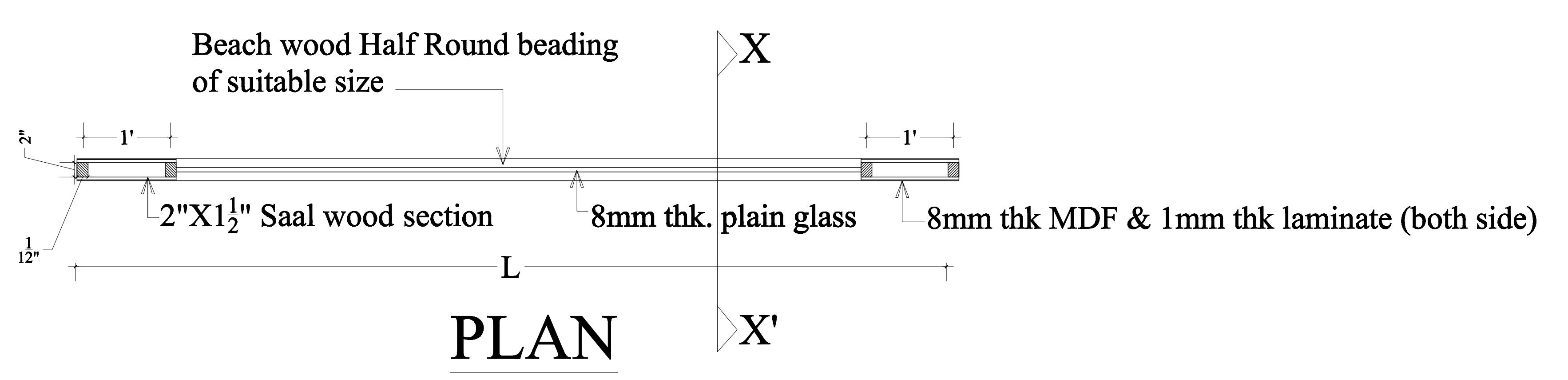
ELEVATION



SECTION - AA



Detail X



PLAN

NOTE: 1) All Dimensions are in mm, feet & inches
 2) Do not scale the Dwg. Only written Dimensions are to be followed

REV	DESCRIPTION	DATE

CLIENT: BALMER LAWRIE

PROJECT: BL LOGISTICS SHAMSHABAD

DWG TITLE: TYPICAL DETAILS OF FULL HEIGHT PARTLY GLAZED PARTITION

DATE : 17-01-2017 DRAWN: A. RAHMAN

SHEET - 04 CHECKED: K.N.C

SCALE : N.T.S APPROVED: K.N.C

OWNERS SIGNATURE

INDRAPRASTA CONSULTANTS
 STRUCTURAL ENGINEERS, ARCHITECTS, INTERIOR DESIGNERS
 810, 2nd floor, Flat # 302, Rd. # 2, Castle Hills, Masab tank, Hyderabad.
 Phone No. 23535442, 98480-25598.
 E-Mail : chandrashekar.kn@gmail.com